

Brushless DC Fan

D1225R24BBAZ-00

Dynerics

represents a broad range of axial- and radial-fans with an AC or DC-power supply: The fans combine long life with high reliability. See for instance the L10 curves of selected fans showing 100.000 hrs at 35° C and 45.000 hrs at 60° C

Whether your application request a very silent fan (gentle Typhoon) or compact fans with very high pressure by an integrated pressure chambre (G-Type) we offer the right fans.

The special shape of the fan blade, shows not only a better result in airflow, but also in a low noise level.

NIDEC ADVANCED MOTOR CORPORATION (previous Nidec Servo):

- Established as a manufacturer of small motors over 50 years ago, Nidec Servo offer a comprehensive range of ball bearing based fans and blowers to suit many applications and have passed certification tests including UL, CSA, TUV and VDE. We can also supply products with sensors of a lockup detection type, pulse output and a rotational speed detection type.

D1225C series

axial fans (Gentle Typhoon),

- sizes 120sq x 25mm.
- Are very silent, long life time, ball bearing based DC-fans
- made from ABS and PBT synthetic resins with standard 300mm leadwires.
- This fan has a an ribbed flange.
- Optional are:
 - versions with speed control by PWM (-Z); a pulse output



Phone

NL

+31 499 371007

DE

+49 2157 128990

Address

NL

Dynerics B.V.
De Rijn 12
5684 PJ Best
Netherlands

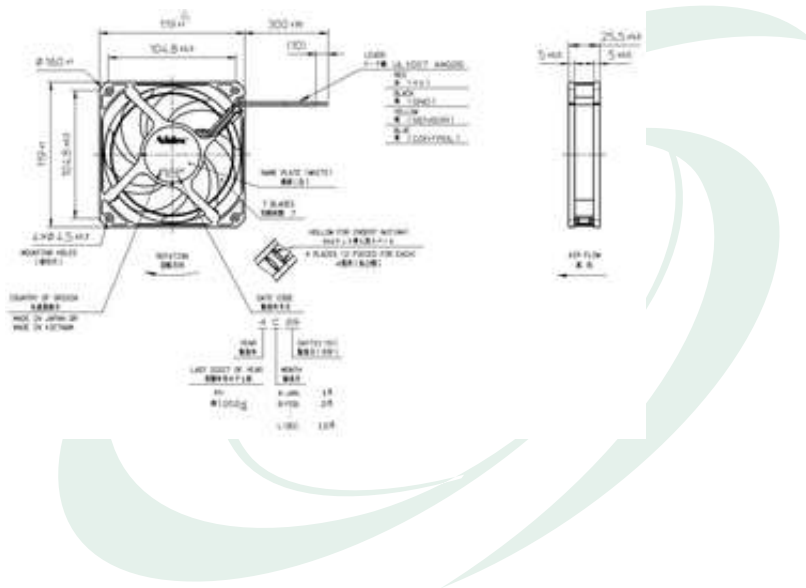
DE

Dynerics GmbH
Klostergasse 6
D-41334 Nettetal-
Kaldenkirchen
Germany

- (-P); a Lock detection (-S), and speed detection (-Q) and a humidity seal.
- waterproof (IP68): With productcode D1225RxxxxMx, these fans are also available with a dust and waterproof degree of protection provided by a resin molding (IP68; IEC60529)

Please contact us for customizations to meet various requirements such as lead length, different lead color, connector processing, etc.

Images



Phone
 NL
 +31 499 371007

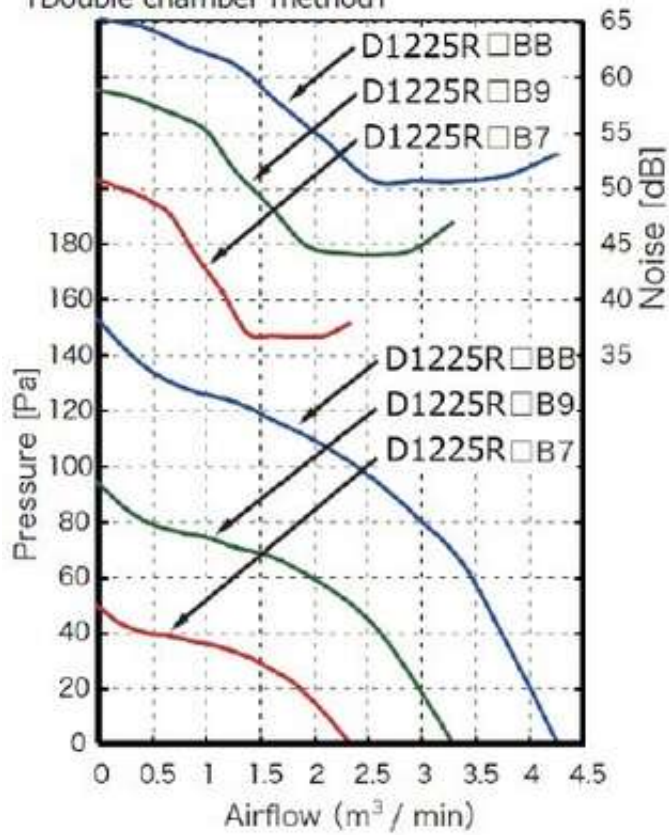
DE
 +49 2157 128990

Address
 NL
 Dynetics B.V.
 De Rijn 12
 5684 PJ Best
 Netherlands

DE
 Dynetics GmbH
 Kloostergasse 6
 D-41334 Nettetal-
 Kaldenkirchen
 Germany

■ Standard airflow and static pressure characteristics(at rated voltage)

[Double chamber method]



Phone

NL

+31 499 371007

DE

+49 2157 128990

Address

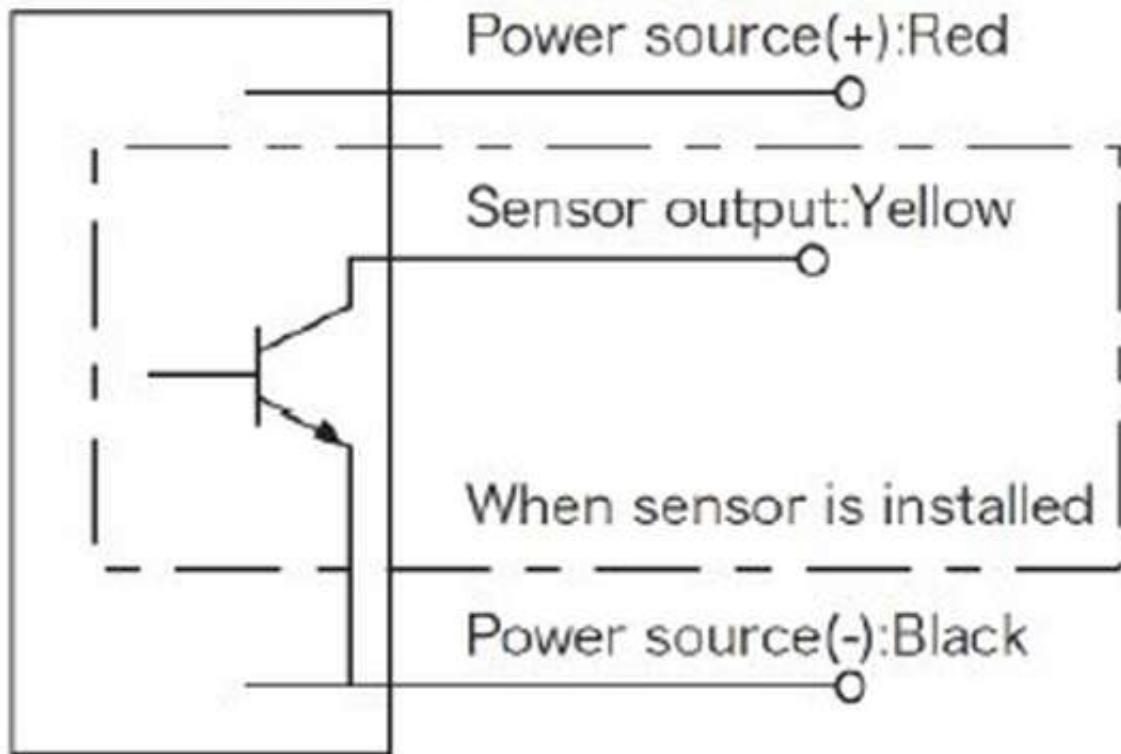
NL

Dynetics B.V.
De Rijn 12
5684 PJ Best
Netherlands

DE

Dynetics GmbH
Klostergasse 6
D-41334 Nettetal-
Kaldenkirchen
Germany

■ Wiring connection diagram



Phone

NL

+31 499 371007

DE

+49 2157 128990

Address

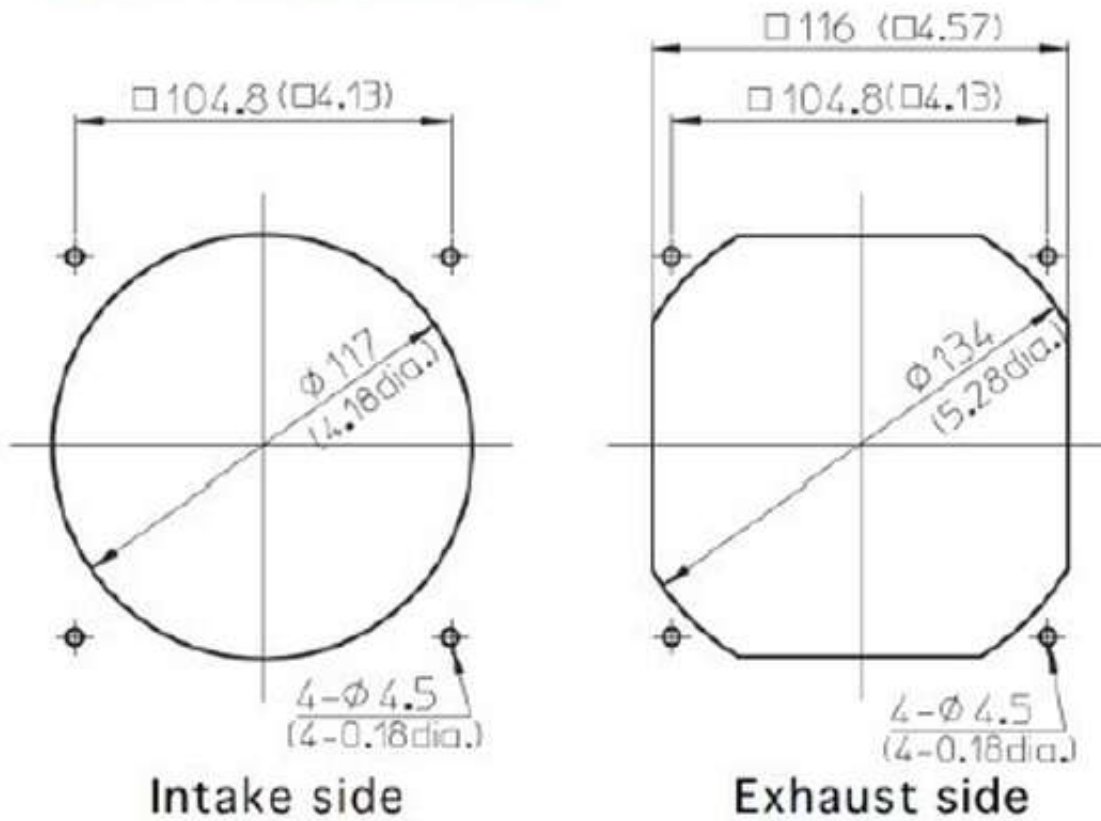
NL

Dynetics B.V.
De Rijn 12
5684 PJ Best
Netherlands

DE

Dynetics GmbH
Klostergasse 6
D-41334 Nettetal-
Kaldenkirchen
Germany

■ Mounting hole dimensions in mm(inches)
[Recommendation]



Phone
NL
+31 499 371007

DE
+49 2157 128990

Address
NL
Dynetics B.V.
De Rijn 12
5684 PJ Best
Netherlands

DE
Dynetics GmbH
Klostergasse 6
D-41334 Nettetal-
Kaldenkirchen
Germany



Details

D1225R24BBAZ-00 Brushless DC Fan

Max. Airflow	4.25	m ³ /min
Max. Airflow	150.1	CFM
Max. Static pressure	150	Pa
Max. Static pressure	15.24	mmH ₂ O
noise	50.5	dB

Phone

NL

+31 499 371007

DE

+49 2157 128990

Address

NL

Dynetics B.V.
De Rijn 12
5684 PJ Best
Netherlands

DE

Dynetics GmbH
Klostergasse 6
D-41334 Nettetal-
Kaldenkirchen
Germany

speed	5400	rpm
input	14,11	W
Voltage	24	V
Current	580	mA
sizes	120sq x 25	mm
operating temperature	-20 - +60	°C
Voltage Operating range	20.4-27.6	V

- Wide low-noise range (noise reduction in high density devices)
- 2-way vibration reduction (lower resonant noise of entire device)
- HOUSING: PBT-ABS synthetic resins
- IMPELLER: PBT-ABS synthetic resins
- BEARING: both sides shielded
- Ball bearing DIELECTRIC STRENGTH: The DC fans and blowers are accepted in withstand voltage tests of 500 V 50 Hz for one minute or 600 V 50 Hz for one second. The interrupting current of 5 mA is set for the dielectric strength testers. Dielectric strengths
- INSULATION RESISTANCE: class E (120°C) under JIS C 4004 (rotating electric machines – general), Class A ((105°C) under UL-703 standard, Class A ((105°C) under CSA-C22.2 standard, and Din IEC 950/VDE0806 standard and Class E (90°C) under the VDE0700 standard.
- MOTOR TYPE: Brushless DC motor, protected type: current shut off by detecting lock state, automatic reset.
- SAFETY: thermal and reverse connection protected
- TERMINATION: Lead Wire 300mm WEIGHT: 210 g
- Certification test by UL, CSA, TUV, VDE
- ROHS COMPLIANCE Yes
- Reach: Yes

Options:

- Suffix -P: Pulse code output (also called “speed signal) a rectangular wave of two pulses will be output for each turn of the propeller via an extra wire.
- Suffix -Z: a PWM signal from the customer equipment is input to the control line (blue wire) of the fan motor for variable-speed operation
- Suffix -S: lock detection by an output signal via an extra wire, indicates an L state (transistor ON) while propeller is rotating
- Suffix -Q: speed detection the output signal indicates the H state when the propeller revolutions are slower than the preset state
- Suffix -C: “humiseal”, protection layer covering the sensitive electronic parts
- D1225R12BxMZ-00 for the IP68 qualified fan

Other options:

Phone

NL

+31 499 371007

DE

+49 2157 128990

Address

NL

Dynetics B.V.
De Rijn 12
5684 PJ Best
Netherlands

DE

Dynetics GmbH
Klostergasse 6
D-41334 Nettetal-
Kaldenkirchen
Germany

contact us for your requirements of customization (examples customized lead wire, connector, etc), finger guard, etc.

Specifications

Max. Airflow	4.25 m3/min	Max. Airflow	150.1 CFM	Max. Static pressure	150 Pa
Max. Static pressure	15.24 mmH2o	Noise	50.5 dB	Speed	5400 rpm
Voltage (rating)	24 V	Current (rating)	580 mA	Size frame	120 mm
Supplier	Nidec	Operating temperature	-20 - +60 Degrees Celcius	Voltage Operating range	20.4 - 27.6 V
Starting current	1140 mA	Input	13.92 W		

This PDF-document has been generated from a selection of the available details from the manufacturer. In case the contents of the PDF-file is incomplete or difficult to read, we apologize for the inconvenience and ask you to contact us (info@dynamics.eu)

All product specific information is provided to Dynetics B.V. ("Dynetics") by the manufacturers who are solely responsible for its content and accuracy. Dynetics will not be responsible for typographical or other errors or omissions regarding prices or other information.

Phone

NL

+31 499 371007

DE

+49 2157 128990

Address

NL

Dynetics B.V.
De Rijn 12
5684 PJ Best
Netherlands

DE

Dynetics GmbH
Klostergasse 6
D-41334 Nettetal-
Kaldenkirchen
Germany