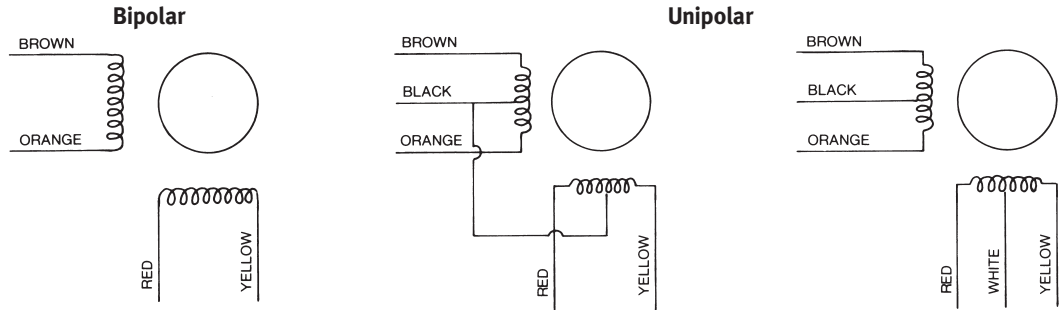




Step Motor Wiring Diagram



A = BROWN, \bar{A} = ORANGE, B = RED, \bar{B} = YELLOW
 BLACK = A COMMON in unipolar 6-lead configuration, and A/B COMMON for unipolar 5-lead wire configuration
 WHITE = B COMMON

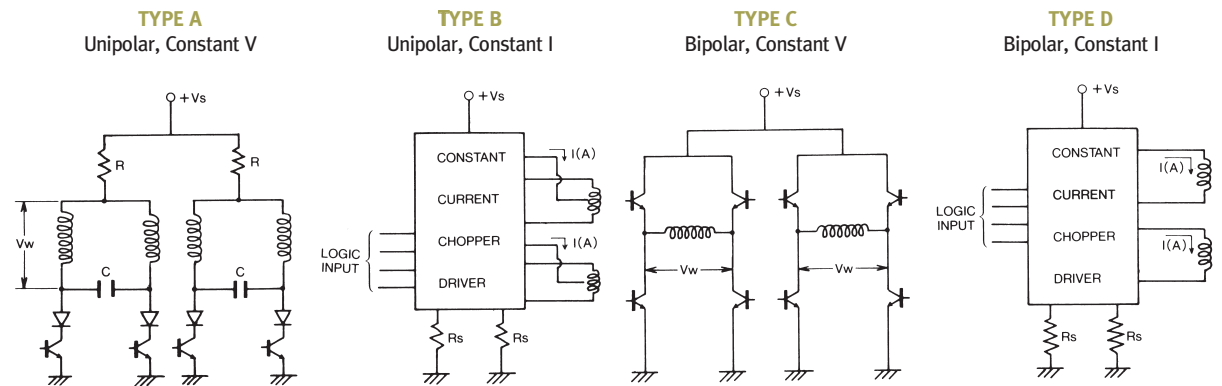
Excitation Tables

Excitation Table - Bipolar						Excitation Table - Uniipolar						
CW*	CCW*	PHASE A	PHASE B	PHASE A	PHASE B	CW*	CCW*	PHASE A	PHASE B	PHASE A	PHASE B	COMMON
1	5	+	+	-	-	1	5	-	-			+
2	4	-	+	+	-	2	4			-		+
3	3	-	-	+	+	3	3			-	-	+
4	2	+	-	-	+	4	2	-			-	+
5	1	+	+	-	-	5	1	-	-			+

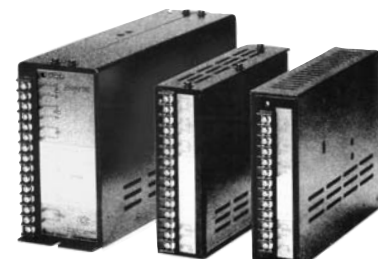
*Viewed from shaft side

*Viewed from shaft side

Step Motor Drive Circuit



Step Motor Drivers



SDU2401 SDU2201 SDU2101

MODEL	TYPE	MAX. CURRENT/PHASE
SDU 2201	Unipolar, Constant Current	1.5 Amps
SDU 2401	Unipolar, Constant Current	4.0 Amps
SDU 2101	Bipolar, Constant Current	2.0 Amps

Note: All drivers are 4 phase and are capable of half step (1-2 phase) and full step (2 phase) modes.
 Input for all models is 110 VAC, 60 Hz